

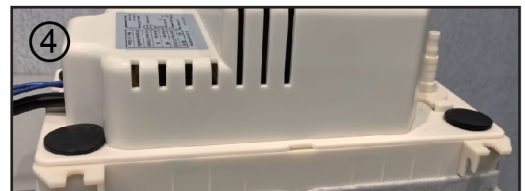
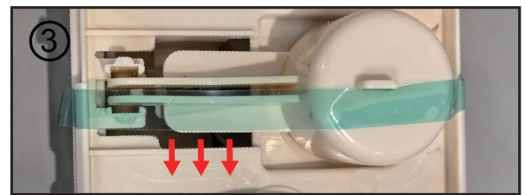
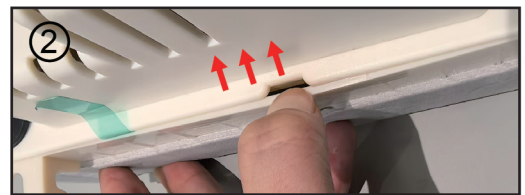
# KBS-4A WATER PUMP

The water pump is mainly used in dehumidifier, air conditioner, embedded air conditioning, wall-mounted air conditioner condensate discharge. The pump uses the world of high quality brand motor, with drainage capacity, high lift, full water level alarm, stable performance, long life and other characteristics.

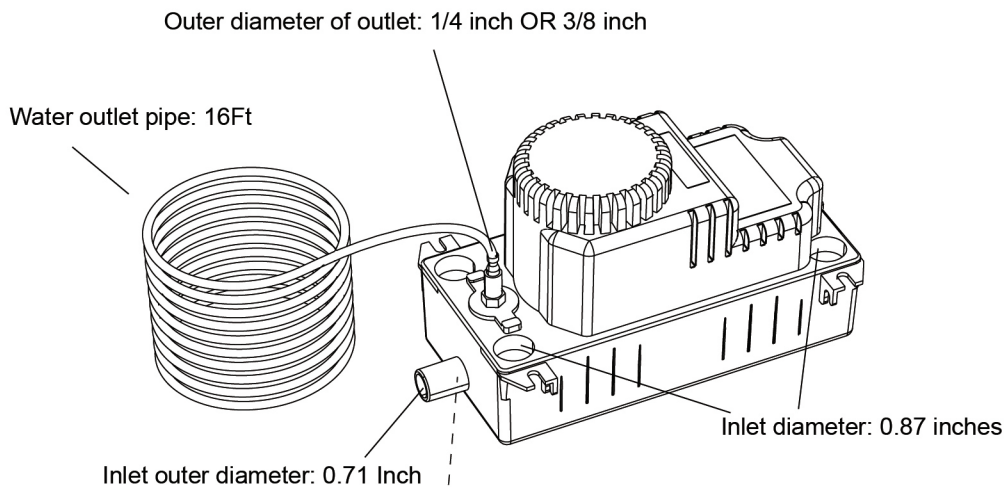
Before use, it is necessary to remove the green tape that secures the floating ball inside the water pump.

1. At the position indicated by the arrow in the figure, use your fingers to open it outward while lifting up the main part of the water pump with your other hand.

2. Gently tear off the green tape and reconnect the main unit and water tank of the water pump.



Model	KBS-4A
Rated Voltage	AC115V,60Hz
Rated Power	45W
The Maximum Life	20Ft
Level Switch	Built-in
Dimensions	240*135*145mm/9.45*5.3*5.7inch
Inlet Diameter	22mm/0.87inch
Inner diameter of water outlet pipe	1/4 inch OR 3/8 inch



If you need to connect the water pipe from here, please use a sharp object to chisel open the wall-inside